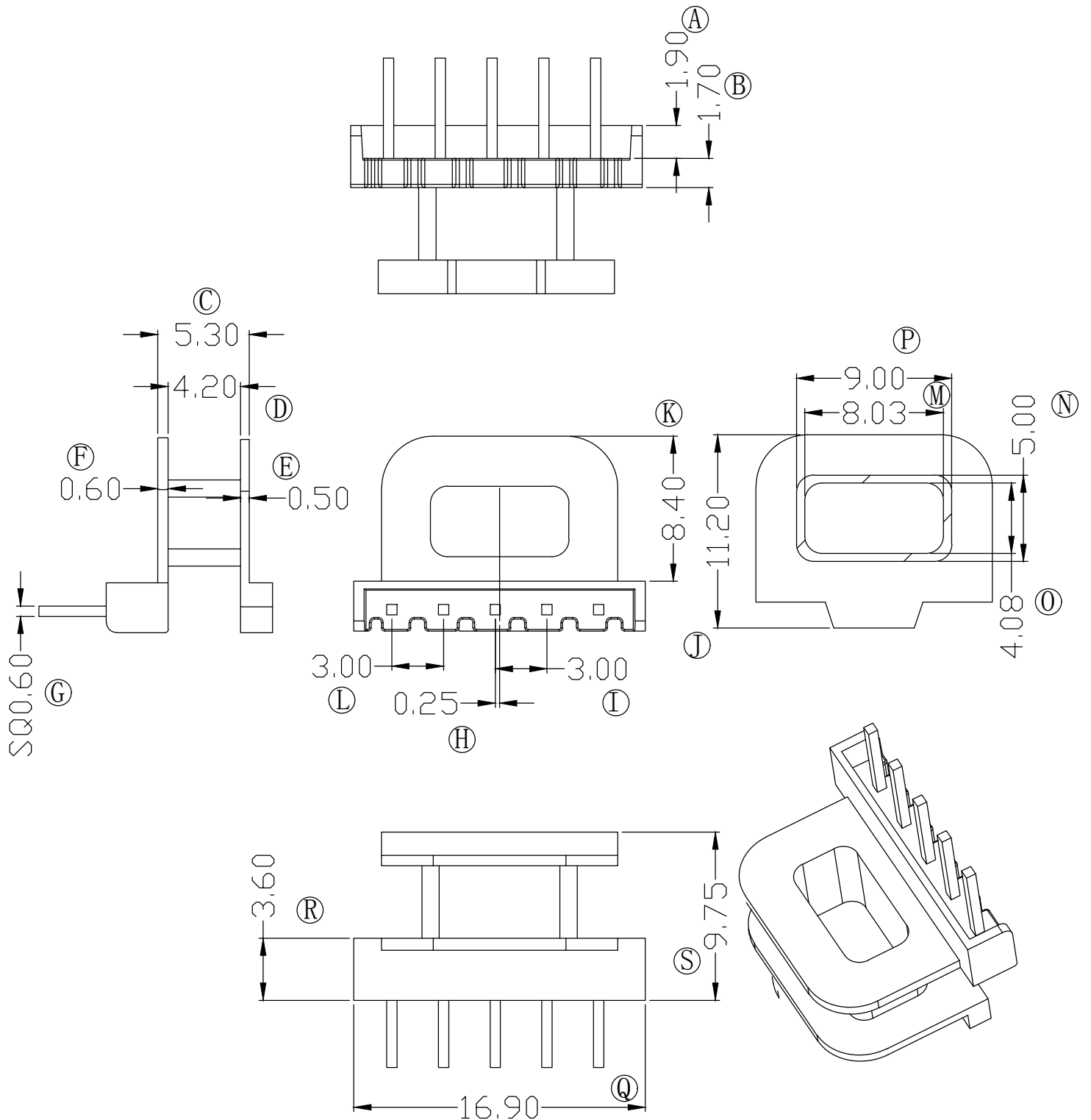


EPC17 5P



东莞市汇泉塑胶五金有限公司
DONGGUAN HUIQUAN PLASTIC HARDWARE CO., LTD

Address: 东莞市樟木头镇樟洋银洋工业区K栋

Tel: 0769-89978391

Fax: 0769-87196826

E-mail: cqchao168@163.COM

TITLE: EPC17 5P

SCALE: 2/1

DRAWING NO: EPC17-1

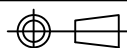
UNIT: m/m

MATERIAL: PLASTIC

UL REC: 94V-0

PIN MATERIAL: CP WIRE

TOLERANCE



PIN PITCH ± 0.20

0 < L ≤ 4: ± 0.1

4 < L ≤ 16: ± 0.2

16 < L ≤ 63: ± 0.3

DATE: 2014. 11. 29

ANGLE $\pm 1^\circ$