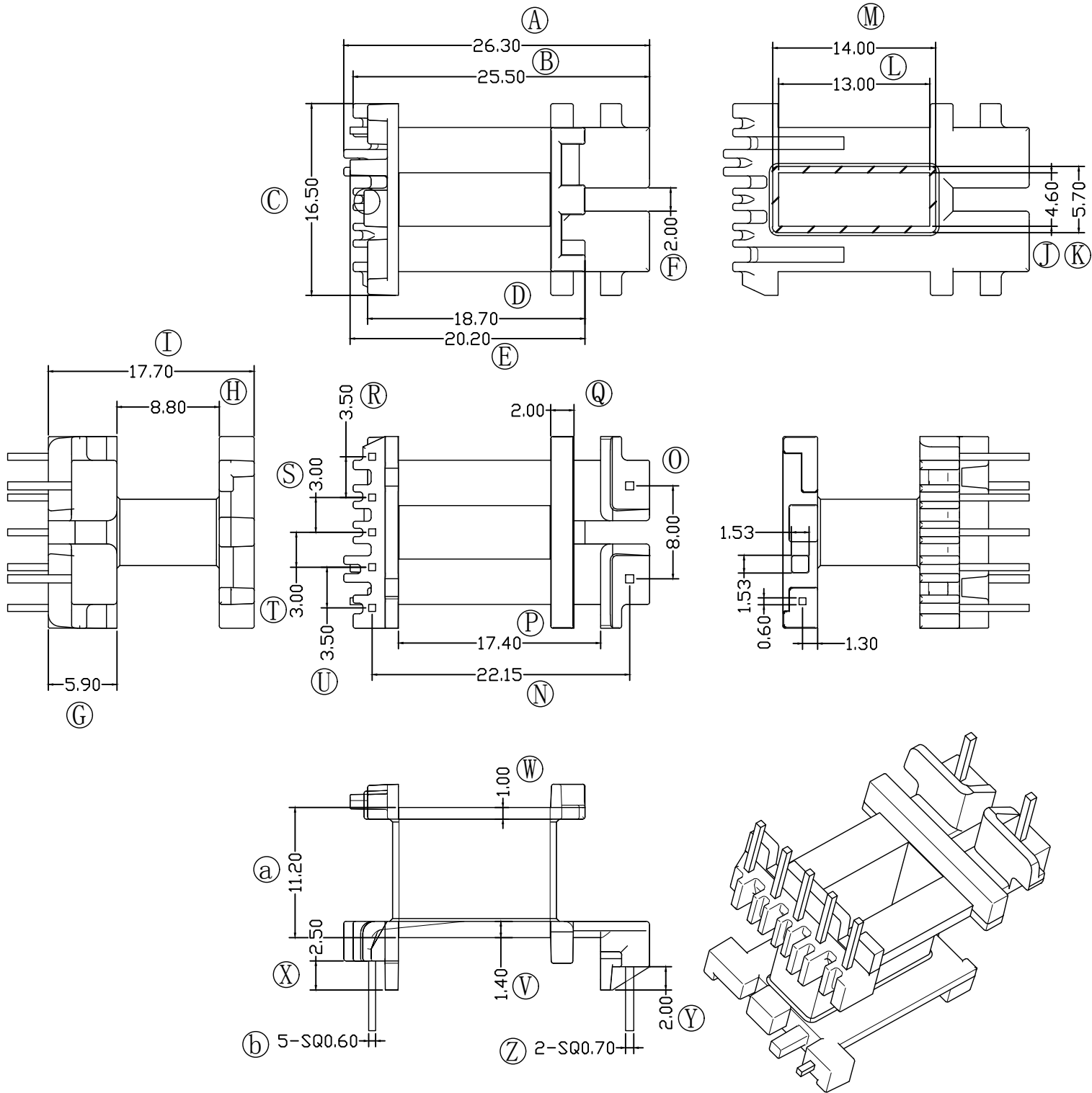


EI16(5+2) 立



东莞市汇泉塑胶五金有限公司
DONGGUAN HUIQUAN PLASTIC HARDWARE CO., LTD

Address: 东莞市樟木头镇樟洋银洋工业区三街22号

Tel: 0769-89978391

Fax: 0769-87196826

E-mail: 470031988@qq.com

TITLE:	EI16(5+2) 立	SCALE:	2/1
DRAWING NO:	EI16-18	UNIT:	m/m
MATERIAL:	PHENOLIC	UL REC:	94V-0
PIN MATERIAL:	CP WIRE	TOLERANCE	
	PIN PITCH ±0.20	0 < L ≤ 4:	±0.1
DATE: 2021.08.26	ANGLE ±1°	4 < L ≤ 16:	±0.2
		16 < L ≤ 63:	±0.3