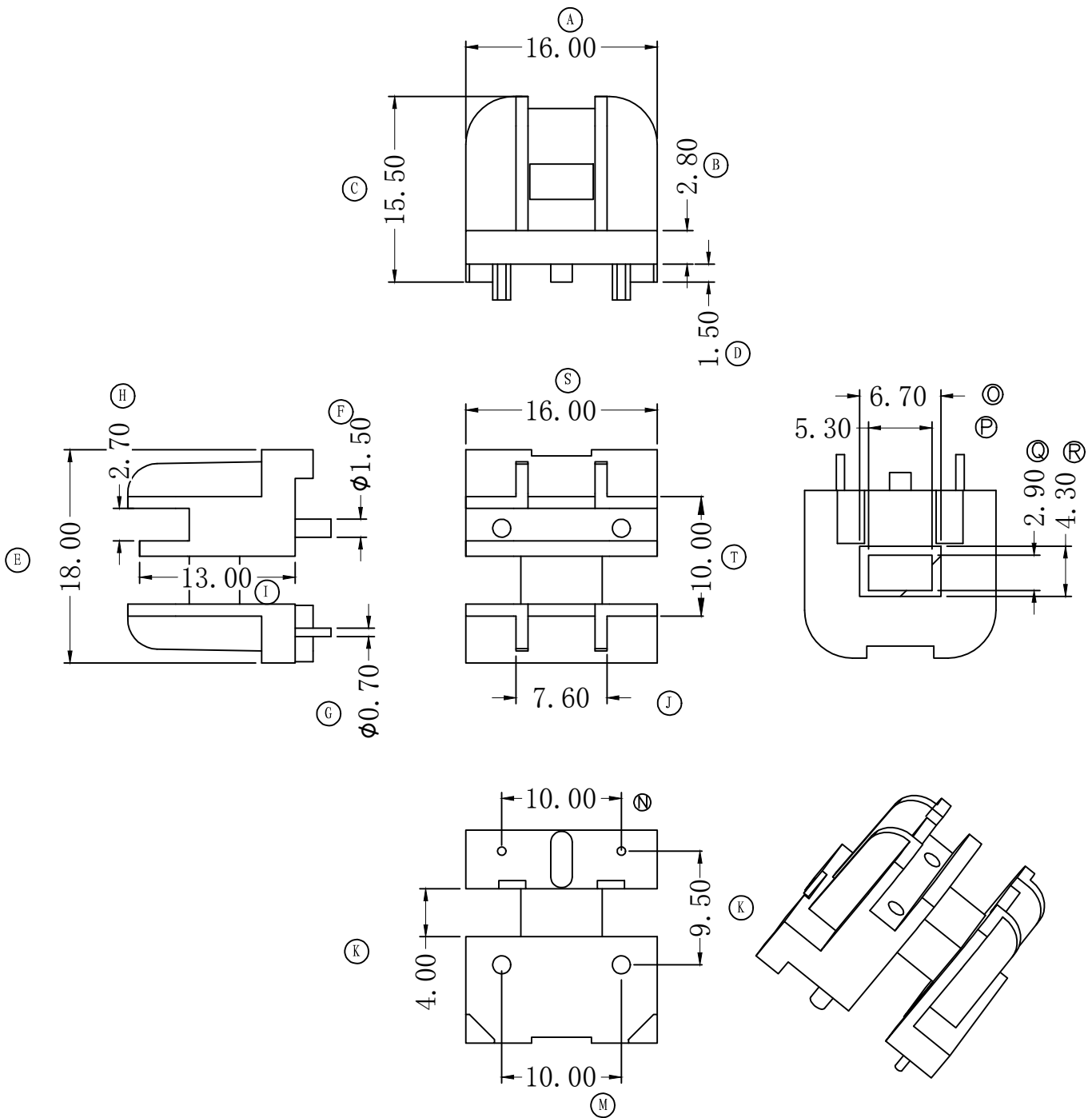


UU10.5(2+2) 卧



东莞市汇泉塑胶五金有限公司
DONGGUAN HUIQUAN PLASTIC HARDWARE CO., LTD

Address: 东莞市樟木头镇樟洋银洋工业区K栋

Tel: 0769-89978391

Fax: 0769-87196826

E-mail: cqchao168@163.COM

TITLE:	UU10.5(2+2)卧	SCALE:	2/1
DRAWING NO:	UU10.5-2	UNIT:	m/m
MATERIAL:	PHENOLIC	UL REC:	94V-0
PIN MATERIAL:	CP WIRE	TOLERANCE	
	PIN PITCH ± 0.20	0 < L ≤ 4: ± 0.1	
		4 < L ≤ 16: ± 0.2	
DATE: 2020.4.15	ANGLE $\pm 1^\circ$	16 < L ≤ 63: ± 0.3	