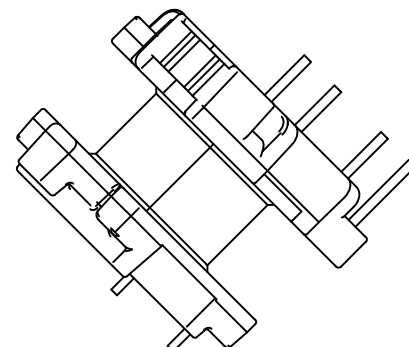
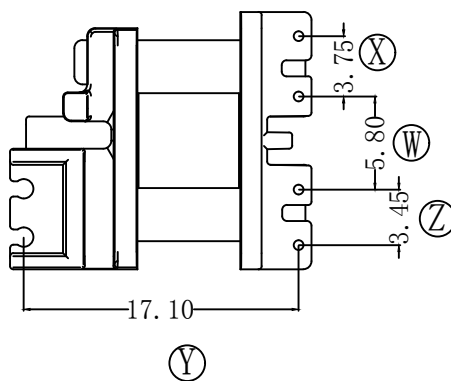
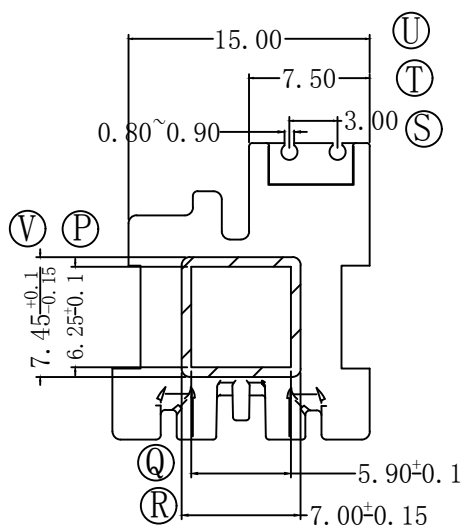


SQ0.50(a)



日期	更改 记录	明细
2021-8-28	磁芯改4.9*7.0MM,宽度加大0.3(18.75MM),次级孔改至1.1*0.95MM	
2022-02-11	a由φ0.60MM改成SQ0.50MM	



东莞市汇泉塑胶五金有限公司
DONGGUAN HUIQUAN PLASTIC HARDWARE CO., LTD

Address: 东莞市樟木头镇樟洋银洋工业区22号

Tel: 0769-89978391

Fax: 0769-87196826

E-mail: 470031988@qq.com

TITLE:	EE18(4+2+2)P	SCALE:	2/1	
DRAWING NO:	EE18-1	UNIT:	m/m	
MATERIAL:	PM9630	UL REC:	94V-0	
PIN MATERIAL:	CP WIRE	TOLERANCE		
	PIN PITCH ± 0.20	0 < L ≤ 4:	± 0.1	
	DATE: 2021.08.21	ANGLE ± 1°	4 < L ≤ 16:	± 0.2
			16 < L ≤ 63:	± 0.3